

850kHz 700mA Synchronous Buck DC/DC Converter

General Description

The AAT1151 SwitchReg™ is a step-down switching converter ideal for applications where high efficiency is required over the full range of output load conditions. The 2.7V to 5.5V input voltage range makes the AAT1151 ideal for single-cell lithium-ion/polymer battery applications. Capable of more than 700mA with internal MOSFETs, the current-mode controlled IC provides high efficiency using synchronous rectification. Fully integrated compensation simplifies system design and lowers external parts count.

The device operates at a fixed 850kHz switching frequency and enters Pulse Frequency Modulation (PFM) mode for light load current to maintain high efficiency across all load conditions.

The AAT1151 is available in Pb-free MSOP-8 and QFN33-16 packages and is rated over the -40°C to +85°C temperature range.

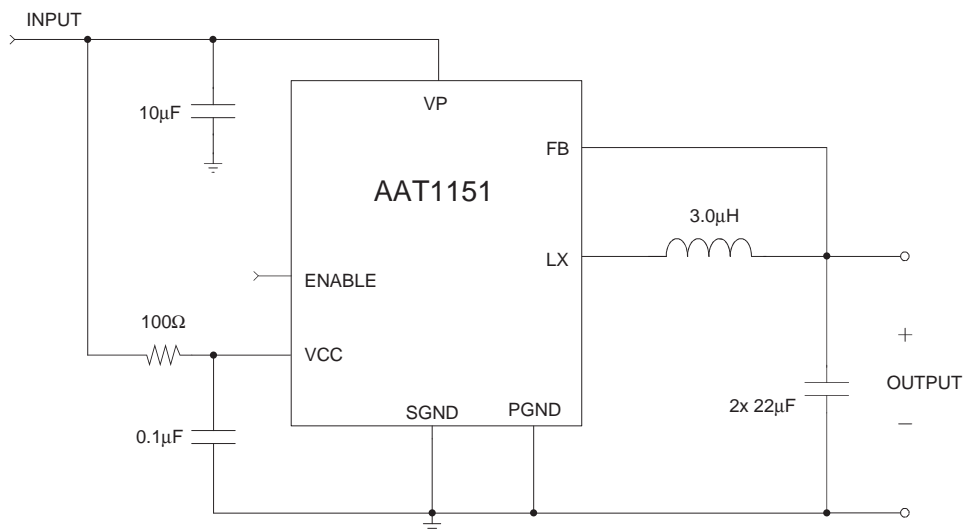
Features

- V_{IN} Range: 2.7V to 5.5V
- Up to 95% Efficiency
- High Initial Accuracy $\pm 1\%$
- $110m\Omega$ $R_{DS(ON)}$ Internal Switches
- $< 1\mu A$ Shutdown Current
- 850kHz Switching Frequency
- Fixed V_{OUT} or Adjustable $V_{OUT} \geq 1.0V$
- Integrated Power Switches
- Synchronous Rectification
- Current Mode Operation
- Internal Compensation
- Stable with Ceramic Capacitors
- PFM for Optimum Efficiency for All Load Conditions
- Internal Soft Start
- Over-Temperature Protection
- Current Limit Protection
- MSOP-8 and QFN33-16 Packages
- -40°C to +85°C Temperature Range

Applications

- Cellular Phones
- Digital Cameras
- MP3 Players
- Notebook Computers
- PDAs
- USB-Powered Equipment
- Wireless Notebook Adapters

Typical Application



AAT1151

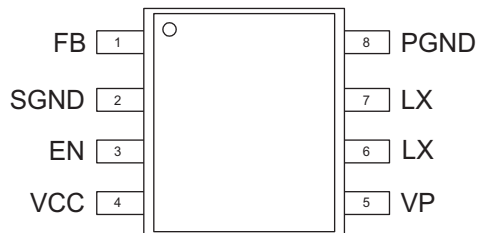
850kHz 700mA Synchronous Buck DC/DC Converter

Pin Descriptions

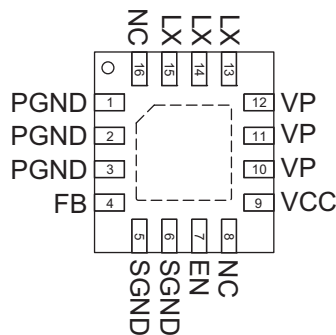
Pin #		Symbol	Function
MSOP-8	QFN33-16		
1	4	FB	Feedback input pin. This pin is connected to the converter output. It is used to set the output of the converter to regulate to the desired value via an internal resistive divider. For an adjustable output, an external resistive divider is connected to this pin on the 1V model.
2	5, 6	SGND	Signal ground. Connect the return of all small signal components to this pin. (See board layout rules.)
3	7	EN	Enable input pin. A logic high enables the converter; a logic low forces the AAT1151 into shut-down mode reducing the supply current to less than 1µA. The pin should not be left floating.
4	9	VCC	Bias supply. Supplies power for the internal circuitry. Connect to input power via low pass filter with decoupling to SGND.
5	10, 11, 12	VP	Input supply voltage for the converter power stage. Must be closely decoupled to PGND.
6, 7	13, 14, 15	LX	Connect inductor to these pins. Switching node internally connected to the drain of both high- and low-side MOSFETs.
8	1, 2, 3	PGND	Main power ground return pin. Connect to the output and input capacitor return. (See board layout rules.)
	8, 16	NC	Not internally connected.
	EP		Exposed paddle (bottom); connect to PGND directly beneath package

Pin Configuration

**MSOP-8
(Top View)**



**QFN33-16
(Top View)**



850kHz 700mA Synchronous Buck DC/DC Converter**Absolute Maximum Ratings¹**

Symbol	Description	Value	Units
V_{CC}, V_P	VCC, VP to GND	6	V
V_{LX}	LX to GND	-0.3 to $V_P + 0.3$	V
V_{FB}	FB to GND	-0.3 to $V_{CC} + 0.3$	V
V_{EN}	EN to GND	-0.3 to 6	V
T_J	Operating Junction Temperature Range	-40 to 150	°C
V_{ESD}	ESD Rating ² - HBM	3000	V

Thermal Characteristics³

Symbol	Description	Value	Units
Θ_{JA}	Thermal Resistance	MSOP-8	150
		QFN33-16	50
P_D	Maximum Power Dissipation ($T_A = 25^\circ\text{C}$)	MSOP-8 ⁴	667
		QFN33-16 ⁵	2.0

Recommended Operating Conditions

Symbol	Description	Value	Units
T	Ambient Temperature Range	-40 to 85	°C

1. Stresses above those listed in Absolute Maximum Ratings may cause permanent damage to the device. Functional operation at conditions other than the operating conditions specified is not implied. Only one Absolute Maximum Rating should be applied at any one time.

2. Human body model is a 100pF capacitor discharged through a 1.5kΩ resistor into each pin.

3. Mounted on a demo board.

4. Derate 6.7mW/°C above 25°C.

5. Derate 20mW/°C above 25°C.

850kHz 700mA Synchronous Buck DC/DC Converter**Electrical Characteristics¹**

$V_{IN} = V_{CC} = V_P = 5V$, $T_A = -40^{\circ}C$ to $85^{\circ}C$, unless otherwise noted. Typical values are at $T_A = 25^{\circ}C$.

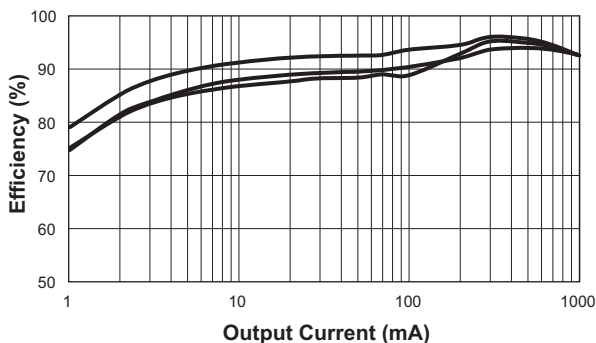
Symbol	Description	Conditions	Min	Typ	Max	Units
V_{IN}	Input Voltage Range		2.7		5.5	V
V_{OUT}	Output Voltage Tolerance	$V_{IN} = V_{OUT} + 0.2$ to $5.5V$, $I_{OUT} = 0$ to $700mA$	-3.0		+3.0	%
V_{UVLO}	Under-Voltage Lockout	V_{IN} Rising V_{IN} Falling	1.2		2.5	V
$V_{UVLO(HYS)}$	Under-Voltage Lockout Hysteresis			250		mV
I_{IL}	Input Low Current	$V_{IN} = V_{FB} = 5.5V$			1.0	μA
I_{IH}	Input High Current	$V_{IN} = V_{FB} = 0V$			1.0	μA
I_Q	Quiescent Supply Current	No Load, $V_{FB} = 0V$, $V_{IN} = 4.2V$, $T_A = 25^{\circ}C$		210	300	μA
I_{SHDN}	Shutdown Current	$V_{EN} = 0V$, $V_{IN} = 5.5V$			1.0	μA
I_{LIM}	Current Limit	$T_A = 25^{\circ}C$	1.2			A
$R_{DS(ON)H}$	High Side Switch On Resistance	$T_A = 25^{\circ}C$		110	150	$m\Omega$
$R_{DS(ON)L}$	Low Side Switch On Resistance	$T_A = 25^{\circ}C$		100	150	$m\Omega$
η	Efficiency	$I_{OUT} = 300mA$, $V_{IN} = 3.5V$		92		%
$\frac{\Delta V_{OUT}}{V_{OUT} * \Delta V_{IN}}$	Load Regulation	$V_{IN} = 4.2V$, $I_{LOAD} = 0$ to $700mA$		± 0.9		%
$\frac{\Delta V_{OUT}}{V_{OUT}}$	Line Regulation	$V_{IN} = 2.7V$ to $5.5V$		± 0.1		%/V
F_{OSC}	Oscillator Frequency	$T_A = 25^{\circ}C$	600	850	1200	kHz
$V_{EN(L)}$	Enable Threshold Low				0.6	V
$V_{EN(H)}$	Enable Threshold High		1.4			V
T_{SD}	Over-Temperature Shutdown Threshold			140		$^{\circ}C$
T_{HYS}	Over-Temperature Shutdown Hysteresis			15		$^{\circ}C$

1. The AAT1151 is guaranteed to meet performance specifications over the $-40^{\circ}C$ to $+85^{\circ}C$ operating range and is assured by design, characterization, and correlation with statistical process controls.

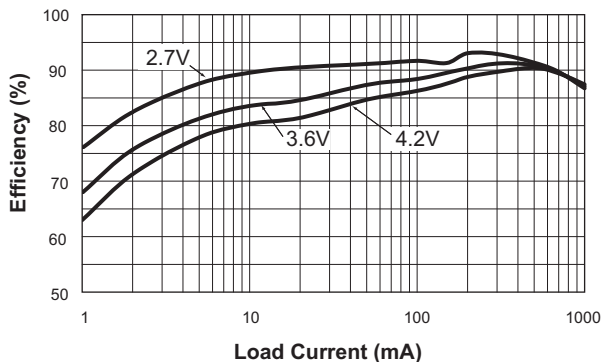
850kHz 700mA Synchronous Buck DC/DC Converter

Typical Characteristics

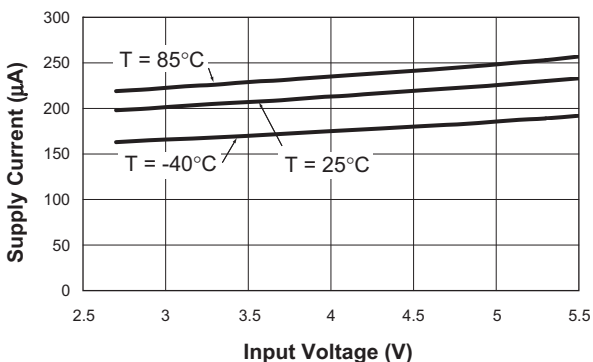
Efficiency vs. Load Current
($V_{OUT} = 2.5V$; $L = 4.2\mu H$)



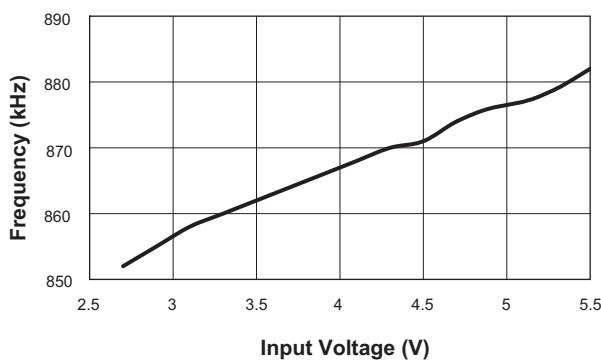
Efficiency vs. Load Current
($V_{OUT} = 1.8V$)



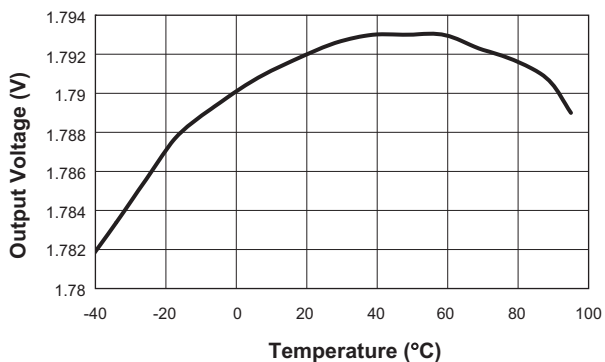
No Load Supply Current vs. Input Voltage



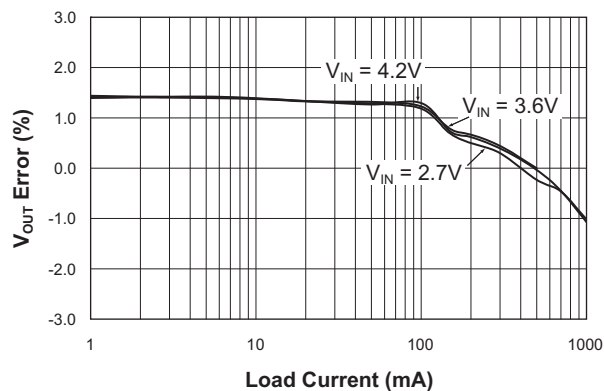
Frequency vs. Input Voltage



Output Voltage vs. Temperature



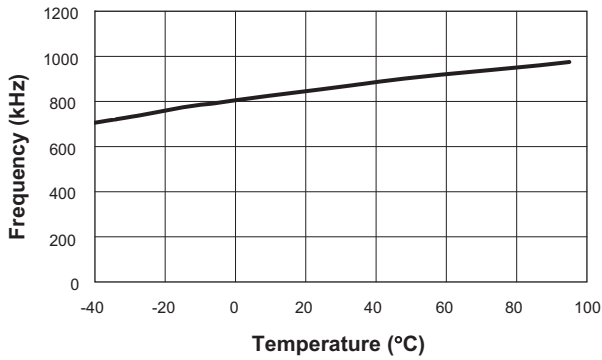
Load and Line Regulation



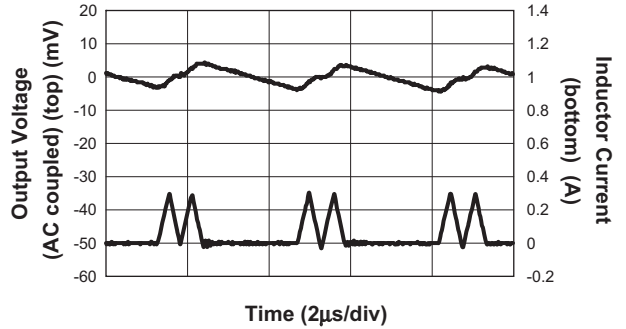
850kHz 700mA Synchronous Buck DC/DC Converter

Typical Characteristics

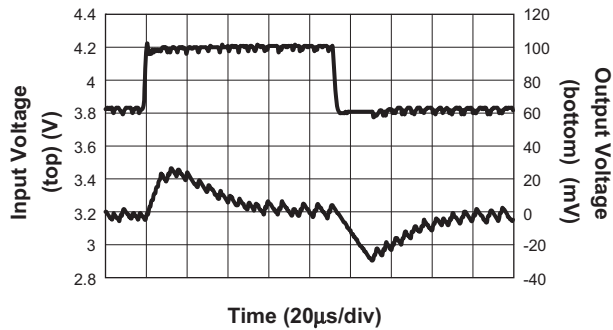
Switching Frequency vs. Temperature



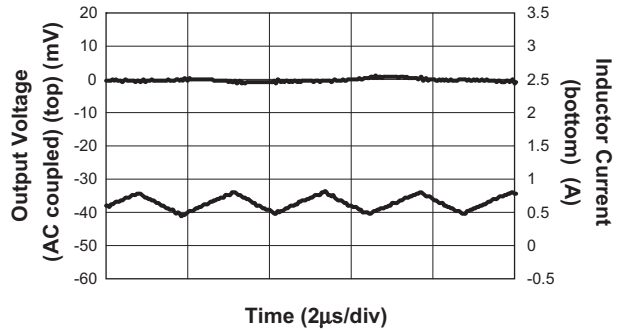
Output Ripple 1.8V, 50mA, $V_{IN} = 3.6V$
Circuit of Figure 1



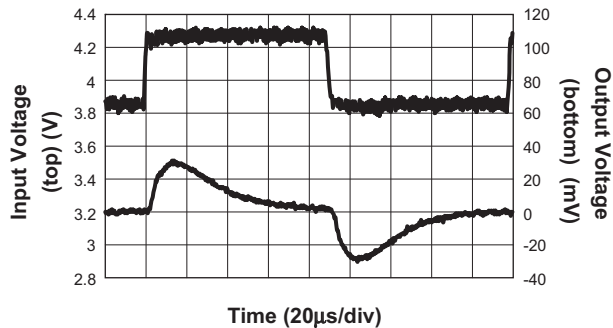
Line Transient Response 1.8V, 50mA
Circuit of Figure 1



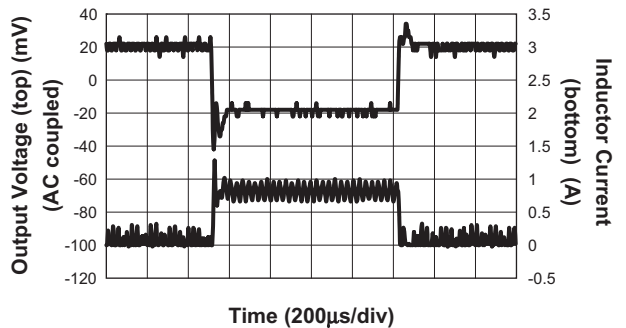
Output Ripple 1.8V, 0.7A, $V_{IN} = 3.6V$
Circuit of Figure 1



Line Transient Response 1.8V, 0.7A
Circuit of Figure 1



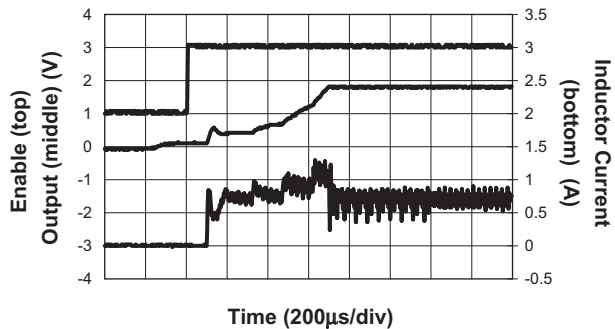
Load Transient Response 50mA to 0.7A
 $V_{IN} = 3.6V$ – Circuit of Figure 1



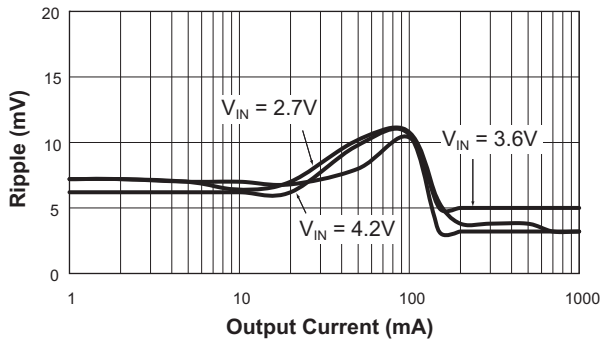
850kHz 700mA Synchronous Buck DC/DC Converter

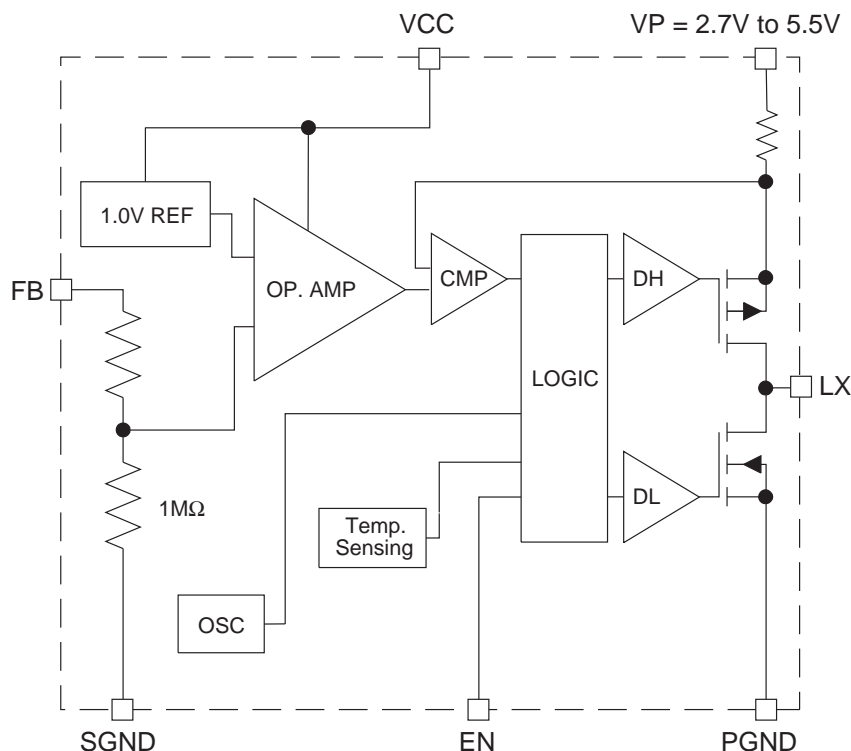
Typical Characteristics

Soft Start 1.8V, 0.7A, $V_{IN} = 3.6V$
Circuit of Figure 1



Output Ripple
Circuit of Figure 1



850kHz 700mA Synchronous Buck DC/DC Converter**Functional Block Diagram****Operation****Control Loop**

The AAT1151 is a peak current mode buck converter. The inner wide bandwidth loop controls the peak current of the output inductor. The output inductor current is sensed through the P-channel MOSFET (high side) and is also used for short-circuit and overload protection. A fixed slope compensation signal is added to the sensed current to maintain stability. The loop appears as a voltage programmed current source in parallel with the output capacitor.

The voltage error amplifier output programs the current loop for the necessary inductor current to force a constant output voltage for all load and line conditions. The voltage feedback resistive divider is internal, dividing the output voltage to the error amplifier reference voltage of 1.0V. The voltage error amplifier does not have the large DC gain typical of most error amplifiers. This eliminates the need for external compensation components, while still providing sufficient DC loop gain for load regulation.

The voltage loop crossover frequency and phase margin are set by the output capacitor value only.

PFM/PWM Operation

Light load efficiency is maintained by way of PFM control. The AAT1151 PFM control forces the peak inductor current to a minimum level regardless of load demand. At medium to high load demand, this has no effect on circuit operation and normal PWM controls take over. PFM reduces the switching frequency at light loads, thus reducing the associated switching losses.

Soft Start/Enable

Soft start increases the inductor current limit point in discrete steps when the input voltage or enable input is applied. It limits the current surge seen at the input and eliminates output voltage overshoot. When pulled low, the enable input forces the AAT1151 into a low-power, non-switching state. The total input current during shut-down is less than 1 μ A.

850kHz 700mA Synchronous Buck DC/DC Converter

Power and Signal Source

Separate small signal ground and power supply pins isolate the internal control circuitry from the noise associated with the output MOSFET switching. The low pass filter R1 and C2 in schematic Figure 1 filters the noise associated with the power switching.

Current Limit and Over-Temperature Protection

For overload conditions, the peak input current is limited. As load impedance decreases and the output voltage falls closer to zero, more power is dissipated internally, raising the device temperature. Thermal protection completely disables switching when internal dissipation becomes excessive, protecting the device from damage. The junction over-temperature threshold is 140°C with 10°C of hysteresis.

Inductor

The output inductor is selected to limit the ripple current to some predetermined value, typically 20% to 40% of the full load current at the maximum input voltage. Manufacturer’s specifications list both the inductor DC current rating, which is a thermal limitation, and the peak current rating, which is determined by the saturation characteristics. The inductor should not show any appreciable saturation under normal load conditions. During overload and transient conditions, the average

current in the inductor can meet or exceed the current limit point of the AAT1151. These conditions can tolerate greater saturation in the inductor without degradation in converter performance. Some inductors may meet the peak and average current ratings yet result in excessive losses due to a high DCR. Always consider the losses associated with the DCR and its effect on the total converter efficiency when selecting an inductor.

For a 1.0A load and the ripple set to 40% at the maximum input voltage, the maximum peak-to-peak ripple current is 280mA. The inductance value required is 2.84µH.

$$L = \frac{V_{OUT}}{I_O \cdot k \cdot F_s} \cdot \left(1 - \frac{V_{OUT}}{V_{IN}}\right)$$

$$= \left(\frac{1.5V}{1A \cdot 0.4 \cdot 850kHz}\right) \cdot \left(1 - \frac{1.5V}{4.2V}\right)$$

$$= 2.84\mu H$$

The factor “k” is the fraction of full load selected for the ripple current at the maximum input voltage. For ripple current at 40% of the full load current, the peak current will be 120% of full load. Selecting a standard value of 3.0µH gives 38% ripple current. A 3.0µH inductor selected from the Sumida CDRH5D28 series has a 24mΩ DCR and a 2.4A DC current rating. At full load, the inductor DC loss is 24mW, which amounts to a 1.6% loss in efficiency.

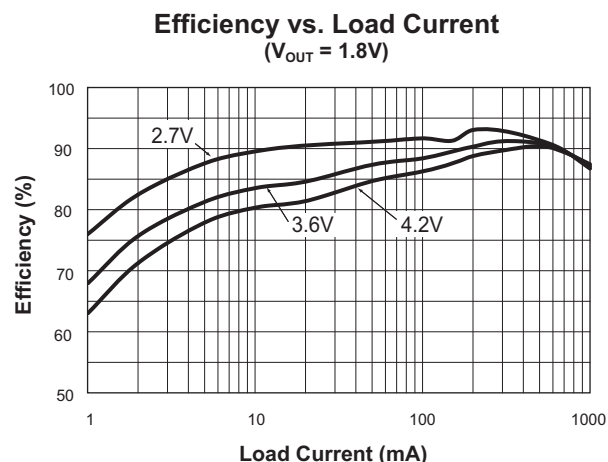
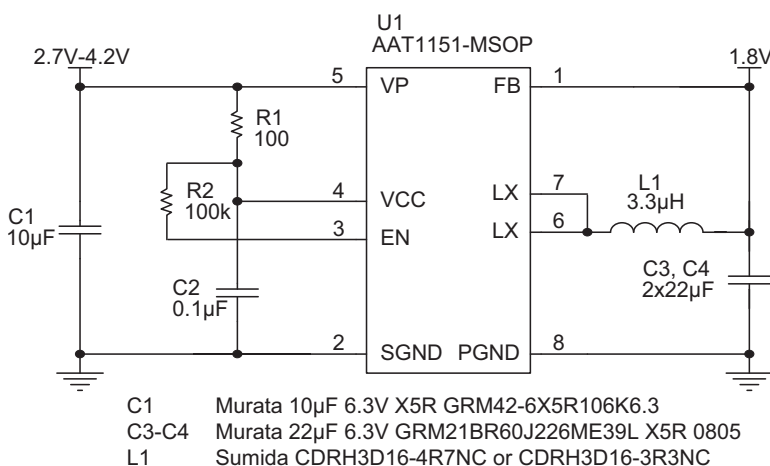


Figure 1: AAT1151 Evaluation Board.

850kHz 700mA Synchronous Buck DC/DC Converter**Input Capacitor**

The primary function of the input capacitor is to provide a low impedance loop for the edges of pulsed current drawn by the AAT1151. A low ESR/ESL ceramic capacitor is ideal for this function. To minimize stray inductance, the capacitor should be placed as close as possible to the IC. This keeps the high frequency content of the input current localized, minimizing radiated and conducted EMI while facilitating optimum performance of the AAT1151. Ceramic X5R or X7R capacitors are ideal for this function. The size required will vary depending on the load, output voltage, and input voltage source impedance characteristics. A typical value is around 10 μ F. The input capacitor RMS current varies with the input voltage and the output voltage. The equation for the RMS current in the input capacitor is:

$$I_{\text{RMS}} = I_{\text{O}} \cdot \sqrt{\frac{V_{\text{O}}}{V_{\text{IN}}} \cdot \left(1 - \frac{V_{\text{O}}}{V_{\text{IN}}}\right)}$$

The input capacitor RMS ripple current reaches a maximum when V_{IN} is two times the output voltage where it is approximately one half of the load current. Losses associated with the input ceramic capacitor are typically minimal and are not an issue. Proper placement of the input capacitor can be seen in the reference design layout in Figures 2 and 4.

Output Capacitor

Since there are no external compensation components, the output capacitor has a strong effect on loop stability. Larger output capacitance will reduce the crossover frequency with greater phase margin. For the 1.5V 1A design using the 4.1 μ H inductor, two 22 μ F capacitors provide a stable output. In addition to assisting stability, the output capacitor limits the output ripple and provides

holdup during large load transitions. The output capacitor RMS ripple current is given by:

$$I_{\text{RMS}} = \frac{1}{2 \cdot \sqrt{3}} \cdot \frac{V_{\text{OUT}} \cdot (V_{\text{IN}} - V_{\text{OUT}})}{L \cdot F_{\text{S}} \cdot V_{\text{IN}}}$$

For a ceramic capacitor, the ESR is so low that dissipation due to the RMS current of the capacitor is not a concern. Tantalum capacitors with sufficiently low ESR to meet output voltage ripple requirements also have an RMS current rating well beyond that actually seen in this application.

Layout

Figures 2 through 5 display the suggested PCB layout for the AAT1151. The following guidelines should be used to help ensure a proper layout.

- The input capacitor (C1) should connect as closely as possible to VP (Pin 5) and PGND (Pin 8).
- C2 and L1 should be connected as closely as possible. The connection L1 to the LX node should be as short as possible.
- The feedback trace (Pin 1) should be separate from any power trace and connect as closely as possible to the load point. Sensing along a high-current load trace will degrade DC load regulation.
- The resistance of the trace from the load return to the PGND (Pin 8) should be kept to a minimum. This will help to minimize any error in DC regulation due to differences in the potential of the internal signal ground and the power ground.
- Low pass filter R1 and C3 provide a cleaner bias source for the AAT1151 active circuitry. C3 should be placed as closely as possible to SGND (Pin 2) and VCC (Pin 4). See Figures 2 and 7.

850kHz 700mA Synchronous Buck DC/DC Converter

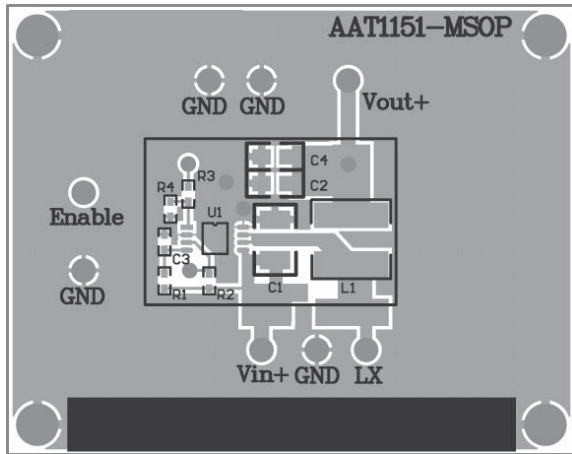


Figure 2: MSOP Evaluation Board Top Layer.

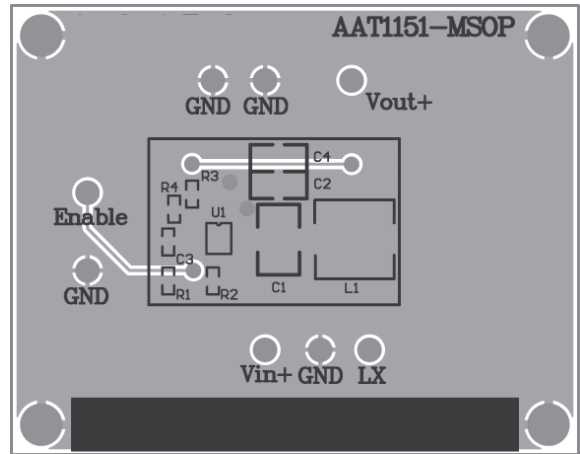


Figure 3: MSOP Evaluation Board Bottom Layer.

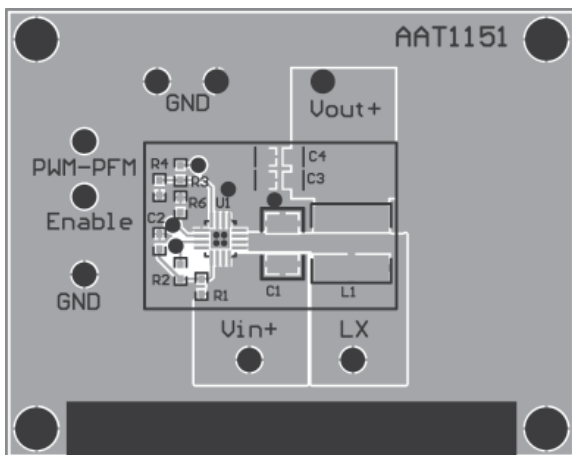


Figure 4: QFN Evaluation Board Top Side.

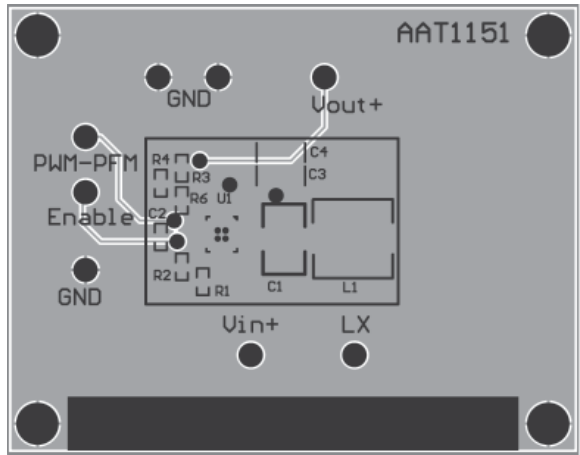


Figure 5: QFN Evaluation Board Bottom Side.

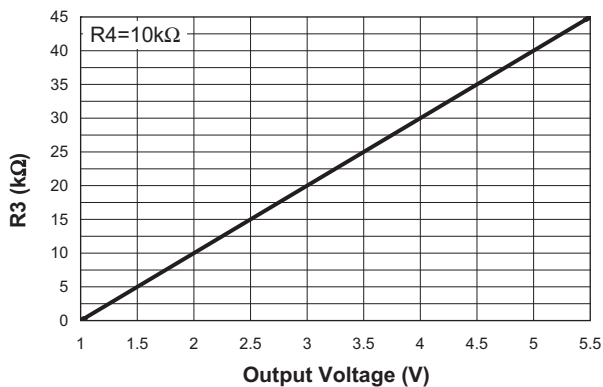
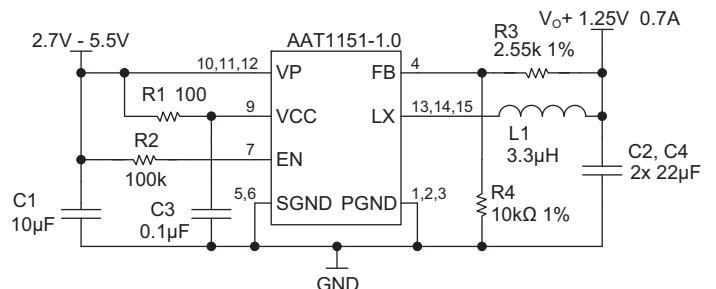


Figure 6: R3 vs. V_{OUT} for Adjustable Output



C1 Murata 10μF 6.3V X5R GRM42-6X5R106K6.3
 C2, C4 Murata 22μF 6.3V GRM21BR60J226ME39L X5R 0805
 L1 Sumida CDRH3D16-3R3 NC

Figure 7: Adjustable Output Schematic. Using the AAT1151-1.0V.

850kHz 700mA Synchronous Buck DC/DC Converter**Thermal Calculations**

There are two types of losses associated with the AAT1151 output switching MOSFET: switching losses and conduction losses. Conduction losses are associated with the $R_{DS(ON)}$ characteristics of the output switching device. At the full load condition, assuming continuous conduction mode (CCM), a simplified form of the total losses is given by:

$$P = \frac{I_O^2 \cdot (R_{DS(ON)H} \cdot V_O + R_{DS(ON)L} \cdot (V_{IN} \cdot V_O))}{V_{IN}} + (t_{SW} \cdot F_S \cdot I_O \cdot V_{IN} + I_Q) \cdot V_{IN}$$

where I_q is the AAT1151 quiescent current.

Once the total losses have been determined, the junction temperature can be derived from the θ_{JA} for the MSOP-8 package.

$$T_J = P \cdot \theta_{JA} + T_{AMB}$$

Adjustable Output

For applications requiring an output other than the fixed available, the 1V version can be programmed externally. Resistors R3 and R4 of Figure 7 force the output to regulate higher than 1V. R4 should be 100 times less than the 1M Ω internal resistance of the FB pin (recommended 10k Ω). Once R4 is selected, R3 can be calculated. For a 1.25 volt output with R4 set to 10.0k Ω , R3 is 2.55k Ω .

$$R3 = (V_O - 1) \cdot R4 = 0.25 \cdot 10k\Omega = 2.55k\Omega$$

850kHz 700mA Synchronous Buck DC/DC Converter**Design Example****Specifications**

$$I_{OUT} = 0.7A$$

$$I_{RIPPLE} = 40\% \text{ of Full Load at Max } V_{IN}$$

$$V_{OUT} = 1.5V$$

$$V_{IN} = 2.7V \text{ to } 4.2V \text{ (3.6V nominal)}$$

$$F_S = 850kHz$$

$$T_{AM} = 85^\circ C$$

Maximum Input Capacitor Ripple

$$I_{RMS} = I_O \cdot \sqrt{\frac{V_O}{V_{IN}} \cdot \left(1 - \frac{V_O}{V_{IN}}\right)} = 0.35A_{RMS}, V_{IN} = 2 \cdot V_O$$

$$P = esr \cdot I_{RMS}^2 = 5m\Omega \cdot 0.35^2 A = 0.6mW$$

Inductor Selection

$$L = \frac{V_{OUT}}{I_O \cdot k \cdot F_S} \cdot \left(1 - \frac{V_{OUT}}{V_{IN}}\right) = \frac{1.5V}{0.7A \cdot 0.4 \cdot 850kHz} \cdot \left(1 - \frac{1.5V}{4.2V}\right) = 4.05\mu H$$

Select Sumida inductor CDRH3D16, 3.3 μ H, 63m Ω , 1.8mm height.

$$\Delta I = \frac{V_O}{L \cdot F_S} \cdot \left(1 - \frac{V_O}{V_{IN}}\right) = \frac{1.5V}{3.3\mu H \cdot 850kHz} \cdot \left(1 - \frac{1.5V}{4.2V}\right) = 340mA$$

$$I_{PK} = I_{OUT} + \frac{\Delta I}{2} = 0.7A + 0.17A = 0.87A$$

$$P = I_O^2 \cdot DCR = (0.7)^2 \cdot 63m\Omega = 31mW$$

Output Capacitor Ripple Current

$$I_{RMS} = \frac{1}{2 \cdot \sqrt{3}} \cdot \frac{V_{OUT} \cdot (V_{IN} - V_{OUT})}{L \cdot F_S \cdot V_{IN}} = \frac{1}{2 \cdot \sqrt{3}} \cdot \frac{1.5V \cdot (4.2V - 1.5V)}{3.3\mu H \cdot 850kHz \cdot 4.2V} = 99mA_{RMS}$$

$$P_{esr} = esr \cdot I_{RMS}^2 = 5m\Omega \cdot 99^2 mA = 50\mu W$$

850kHz 700mA Synchronous Buck DC/DC Converter**AAT1151 Dissipation**

$$P_{\text{TOTAL}} = \frac{I_O^2 \cdot (R_{\text{DS(ON)H}} \cdot V_O + R_{\text{DS(ON)L}} \cdot (V_{\text{IN}} - V_O))}{V_{\text{IN}}} + (t_{\text{sw}} \cdot F_s \cdot I_O + I_Q) \cdot V_{\text{IN}}$$

$$= \frac{(0.7\text{A})^2 \cdot (0.2\Omega \cdot 1.5\text{V} + 0.187\Omega \cdot (4.2\text{V} - 1.5\text{V}))}{4.2\text{V}} + (20\text{nsec} \cdot 850\text{kHz} \cdot 0.7\text{A} + 0.3\text{mA}) \cdot 4.2\text{V} = 0.145\text{W}$$

$$T_{\text{J(MAX)}} = T_{\text{AMB}} + \Theta_{\text{JA}} \cdot P_{\text{LOSS}} = 85^\circ\text{C} + 150^\circ\text{C/W} \cdot 0.145\text{W} = 107^\circ\text{C} \quad (\text{MSOP-8})$$

$$= 85^\circ\text{C} + 50^\circ\text{C/W} \cdot 0.145\text{W} = 92^\circ\text{C} \quad (\text{QFN33-16})$$

Manufacturer	Part Number	Value	Max DC Current	DCR (Ω)	Size (mm) L x W x H	Type
Taiyo Yuden	NPO5DB4R7M	4.7 μ H	1.4A	0.038	5.9 x 6.1 x 2.8	Shielded
Toko	A914BYW-3R5M-D52LC	3.5 μ H	1.34A	0.073	5.0 x 5.0 x 2.0	Shielded
Sumida	CDRH5D28-3R0	3.0 μ H	2.4A	0.024	5.7 x 5.7 x 3.0	Shielded
Sumida	CDRH5D28-4R2	4.2 μ H	2.2A	0.031	5.7 x 5.7 x 3.0	Shielded
Sumida	CDRH5D18-4R1	4.1 μ H	1.95A	0.057	5.7 x 5.7 x 2.0	Shielded
Murata	LQH55DN4R7M03	4.7 μ H	2.7A	0.041	5.0 x 5.0 x 4.7	Non-Shielded
Murata	LQH66SN4R7M03	4.7 μ H	2.2A	0.025	6.3 x 6.3 x 4.7	Shielded
Murata	CDRH3D16-3R3	3.3 μ H	1.1A	0.063	3.8 x 3.8 x 1.8	Shielded

Table 1: Surface Mount Inductors.

Manufacturer	Part Number	Value	Voltage	Temp. Co.	Case
Murata	GRM40 X5R 106K 6.3	10 μ F	6.3V	X5R	0805
Murata	GRM42-6 X5R 106K 6.3	10 μ F	6.3V	X5R	1206
Murata	GRM21BR60J226ME39L	22 μ F	6.3V	X5R	0805
Murata	GRM21BR60J106ME39L	10 μ F	6.3V	X5R	0805

Table 2: Surface Mount Capacitors.

850kHz 700mA Synchronous Buck DC/DC Converter

Ordering Information

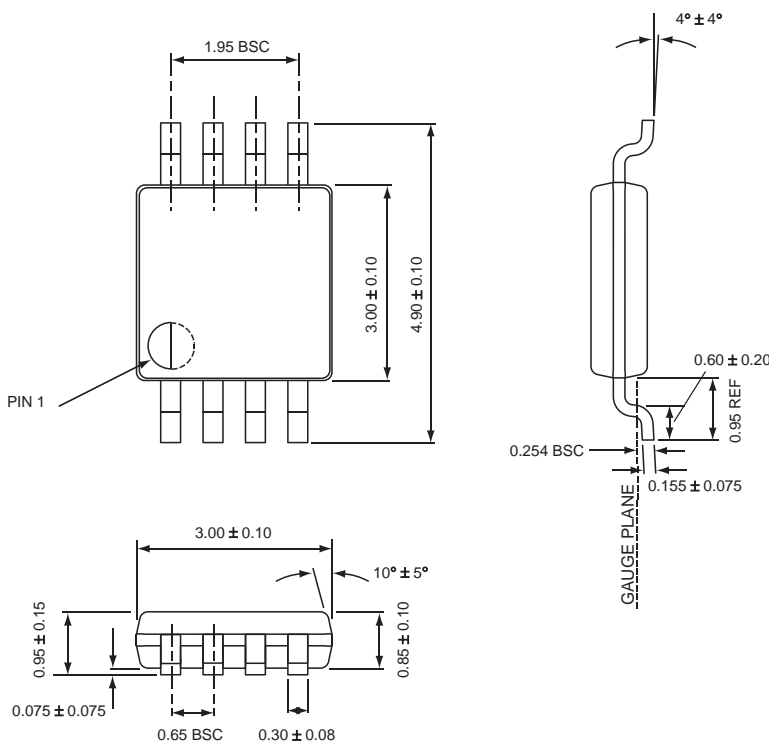
Output Voltage ¹	Package	Marking ²	Part Number (Tape and Reel) ³
1.0V (Adj. $V_{OUT} \geq 1.0V$)	QFN33-16	JHXY	AAT1151IVN-1.0-T1
1.8V	MSOP-8	JIXY	AAT1151IKS-1.8-T1
2.5V	QFN33-16	JJXY	AAT1151IVN-2.5-T1
3.3V	MSOP-8	NKXY	AAT1151IKS-3.3-T1



Skyworks Green™ products are compliant with all applicable legislation and are halogen-free. For additional information, refer to *Skyworks Definition of Green™*, document number SQ04-0074.

Package Information⁴

MSOP-8

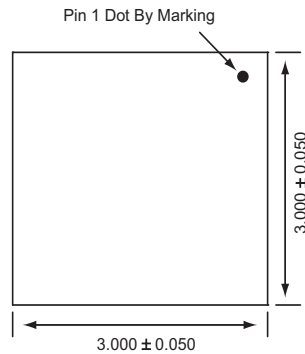


All dimensions in millimeters.

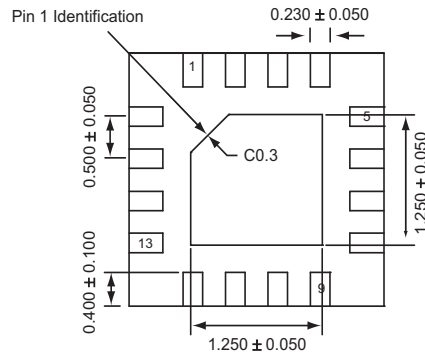
1. Contact local sales office for custom options.
 2. XY = assembly and date code.
 3. Sample stock is generally held on part numbers listed in **BOLD**.
 4. The leadless package family, which includes QFN, TQFN, DFN, TDFN and STDN, has exposed copper (unplated) at the end of the lead terminals due to the manufacturing process. A solder fillet at the exposed copper edge cannot be guaranteed and is not required to ensure a proper bottom solder connection.

850kHz 700mA Synchronous Buck DC/DC Converter

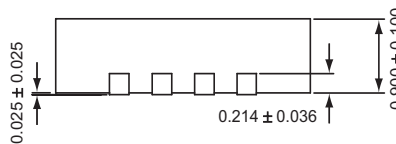
QFN33-16



Top View



Bottom View



Side View

All dimensions in millimeters.

Copyright © 2012, 2013 Skyworks Solutions, Inc. All Rights Reserved.

Information in this document is provided in connection with Skyworks Solutions, Inc. ("Skyworks") products or services. These materials, including the information contained herein, are provided by Skyworks as a service to its customers and may be used for informational purposes only by the customer. Skyworks assumes no responsibility for errors or omissions in these materials or the information contained herein. Skyworks may change its documentation, products, services, specifications or product descriptions at any time, without notice. Skyworks makes no commitment to update the materials or information and shall have no responsibility whatsoever for conflicts, incompatibilities, or other difficulties arising from any future changes.

No license, whether express, implied, by estoppel or otherwise, is granted to any intellectual property rights by this document. Skyworks assumes no liability for any materials, products or information provided hereunder, including the sale, distribution, reproduction or use of Skyworks products, information or materials, except as may be provided in Skyworks Terms and Conditions of Sale.

THE MATERIALS, PRODUCTS AND INFORMATION ARE PROVIDED "AS IS" WITHOUT WARRANTY OF ANY KIND, WHETHER EXPRESS, IMPLIED, STATUTORY, OR OTHERWISE, INCLUDING FITNESS FOR A PARTICULAR PURPOSE OR USE, MERCHANTABILITY, PERFORMANCE, QUALITY OR NON-INFRINGEMENT OF ANY INTELLECTUAL PROPERTY RIGHT; ALL SUCH WARRANTIES ARE HEREBY EXPRESSLY DISCLAIMED. SKYWORKS DOES NOT WARRANT THE ACCURACY OR COMPLETENESS OF THE INFORMATION, TEXT, GRAPHICS OR OTHER ITEMS CONTAINED WITHIN THESE MATERIALS. SKYWORKS SHALL NOT BE LIABLE FOR ANY DAMAGES, INCLUDING BUT NOT LIMITED TO ANY SPECIAL, INDIRECT, INCIDENTAL, STATUTORY, OR CONSEQUENTIAL DAMAGES, INCLUDING WITHOUT LIMITATION, LOST REVENUES OR LOST PROFITS THAT MAY RESULT FROM THE USE OF THE MATERIALS OR INFORMATION, WHETHER OR NOT THE RECIPIENT OF MATERIALS HAS BEEN ADVISED OF THE POSSIBILITY OF SUCH DAMAGE.

Skyworks products are not intended for use in medical, lifesaving or life-sustaining applications, or other equipment in which the failure of the Skyworks products could lead to personal injury, death, physical or environmental damage. Skyworks customers using or selling Skyworks products for use in such applications do so at their own risk and agree to fully indemnify Skyworks for any damages resulting from such improper use or sale.

Customers are responsible for their products and applications using Skyworks products, which may deviate from published specifications as a result of design defects, errors, or operation of products outside of published parameters or design specifications. Customers should include design and operating safeguards to minimize these and other risks. Skyworks assumes no liability for applications assistance, customer product design, or damage to any equipment resulting from the use of Skyworks products outside of stated published specifications or parameters.

Skyworks, the Skyworks symbol, and "Breakthrough Simplicity" are trademarks or registered trademarks of Skyworks Solutions, Inc., in the United States and other countries. Third-party brands and names are for identification purposes only, and are the property of their respective owners. Additional information, including relevant terms and conditions, posted at www.skyworksinc.com, are incorporated by reference.